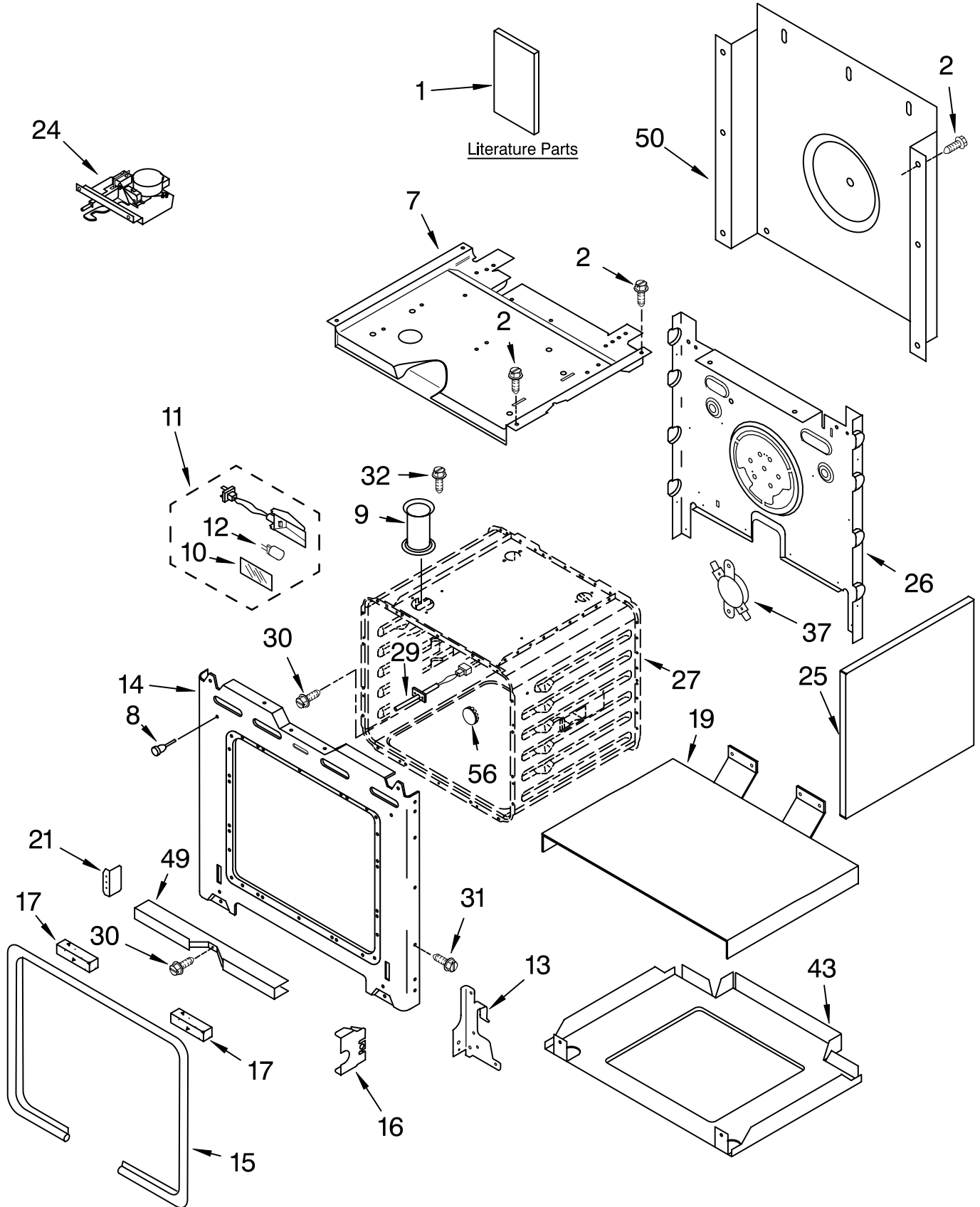


OVEN PARTS
For Model: KDRP407HSS12
(Stainless Steel)

30" KITCHENAID
FREE STANDING RANGE
DUAL FUEL



FOR ORDERING INFORMATION REFER TO PARTS PRICE LIST

OVEN PARTS

For Model: KDRP407HSS12

(Stainless Steel)

Illus. No.	Part No.	DESCRIPTION
1		Literature Parts
	9759536	Installation Instructions
	8301284	Use & Care Guide
	9759534	Tech Sheet
	9759441	Conversion Instructions
	3191638	Safer Cooking Tips
2	4449809	Screw, 8-18 x 3/8
7	4455866	Top, Chassis
8	4448520	Bumper, Door
9	4452158	Tube, Vent
10	4452163	Lens, Light
11	4448972	Oven Light Assy
	4449748	Screw
12	4452164	Bulb, Light
13		Hinge Receiver
	4455605	Left Hand
	4455606	Right Hand

Illus. No.	Part No.	DESCRIPTION
14	9759060	Frame, Front
15	4455382	Gasket, Door
16	4452152	Bracket, Mounting
	4449809	Screw
17	4452260	Spacer, Foam
19	4451478	Support, Insulation
21	4455510	Bracket, Support
24	9759525	Latch Assy
25	4455641	Side, Chassis
26	4452234	Back, Chassis
27		Liner, Oven (Not serviceable)
29	4455636	Sensor
30	4449154	Screw, 8-32 x .440
31	4449040	Screw, 8-18 x 3/8
32	3196176	Screw, 8-18 x 1/2

Illus. No.	Part No.	DESCRIPTION
37	9759243	Thermostat (TOD) (Temp.) SPST
43	4455649	Base, Chassis
49	4448933	Retainer, Gasket
50	4451747	Cover, Back
56	4448982	Button, Plug

**FOLLOWING PARTS
NOT ILLUSTRATED**

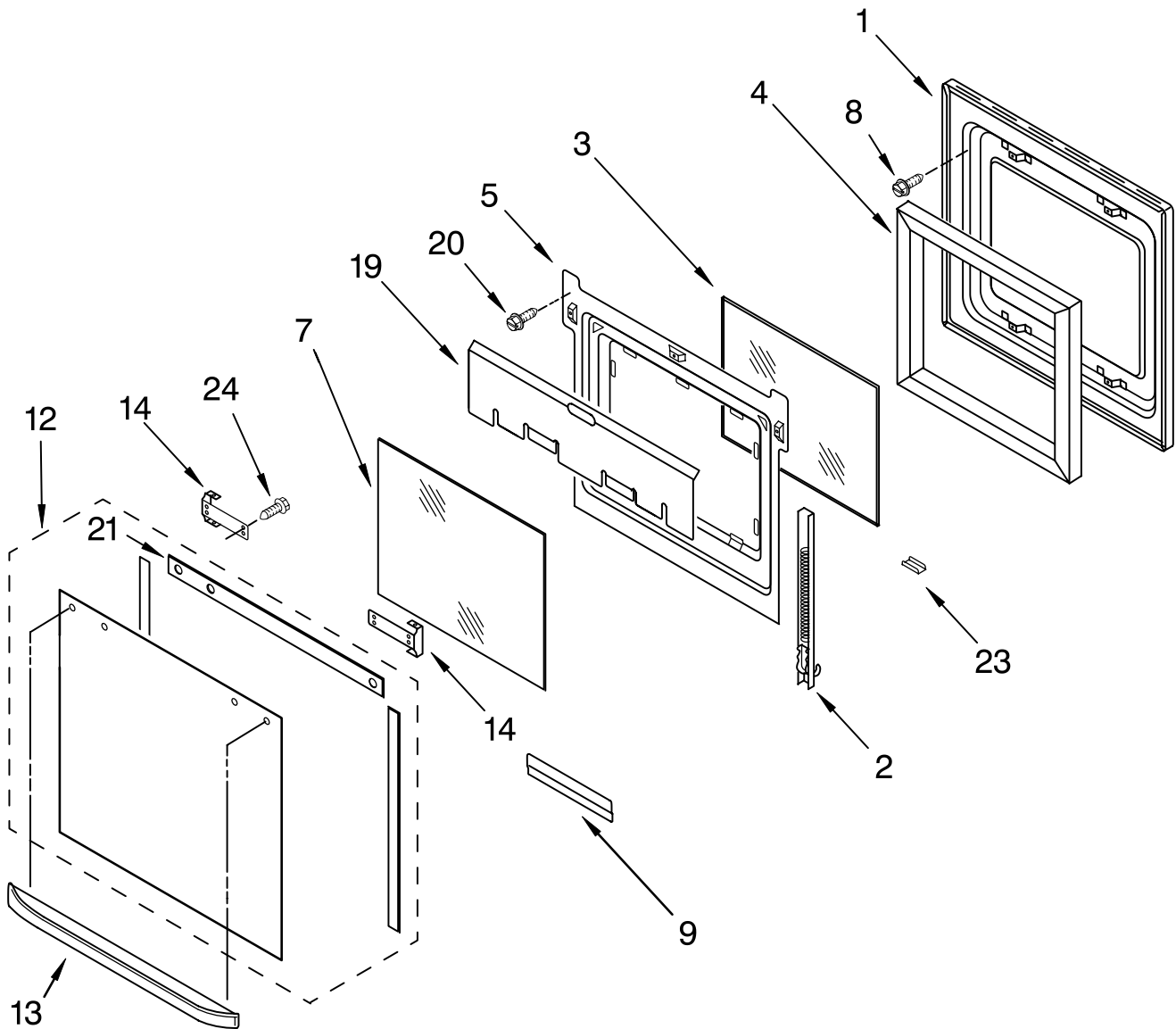
INSULATION

4449316	Insulation, Wrap
4450365	Insulation, Back
4452337	Insulation, Bottom Vent

OVEN DOOR PARTS

For Model: KDRP407HSS12

(Stainless Steel)



Illus. No.	Part No.	DESCRIPTION
1	4457127	Door Liner
2	4457127	Hinge, Door
	9760577	R.Side
	9760578	L.Side
3	4449259	Glass, Inner
4	4451722	Insulation, Door
5	9759743	Retainer, Glass

Illus. No.	Part No.	DESCRIPTION
7	4449263	Glass, Inner
8	4449743	Screw, 8-32 x 3/8
9	4451668	Retainer, Glass
12	4452316	Assy, Door Glass
13	9760544	Door Handle
14	4455803	Right Hand Bracket, Handle
	4455804	Left Hand
	3400832	Screw

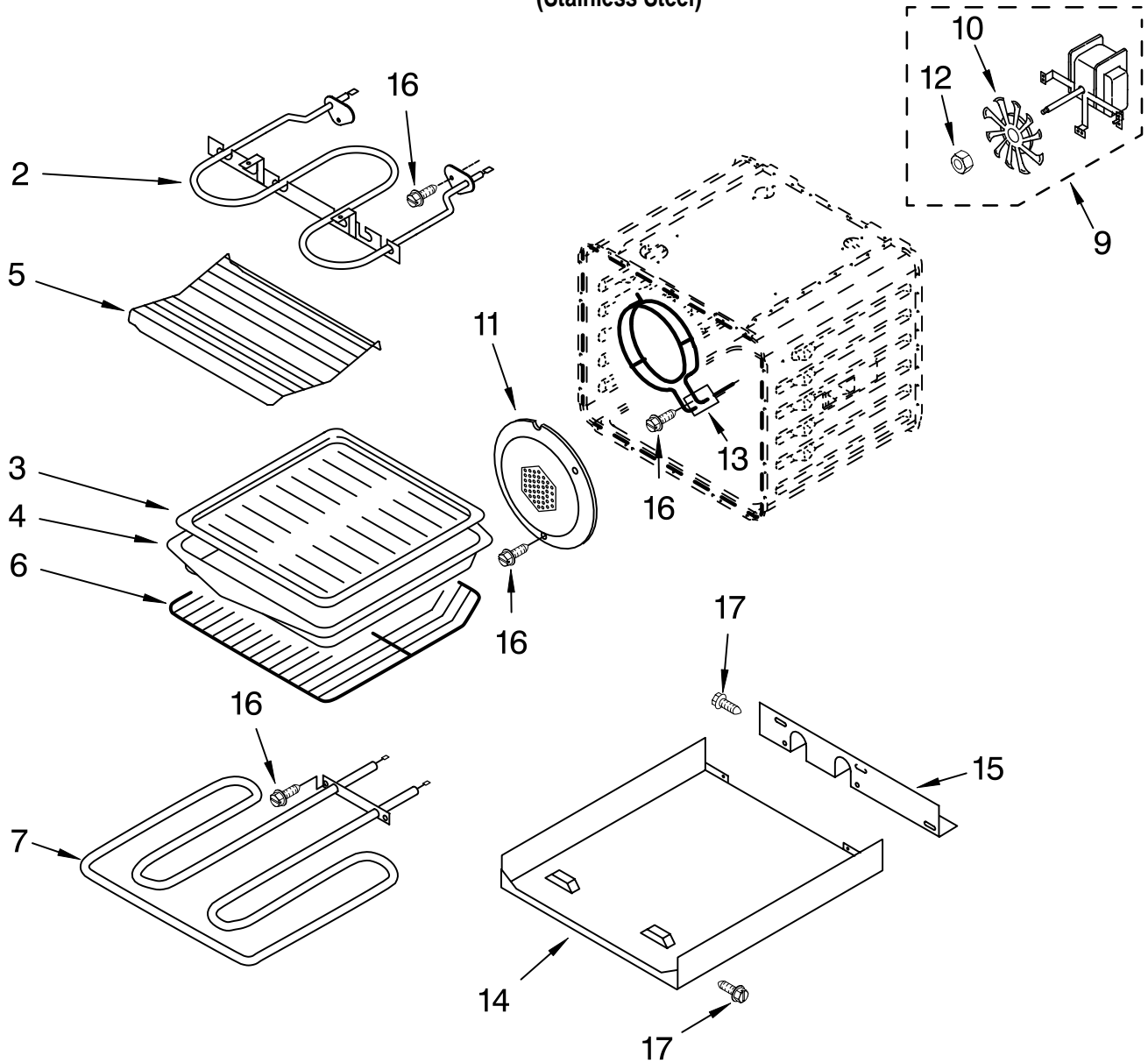
Illus. No.	Part No.	DESCRIPTION
19	9757707	Shield, Heat
20	4449809	Screw, 8-18 x 3/8
21	4452326	Seal, Door Top
23	4451432	Retainer, Clip
	3400832	Screw
24	3196184	Screw, 8-32 x .548

FOR ORDERING INFORMATION REFER TO PARTS PRICE LIST

INTERNAL OVEN PARTS

For Model: KDRP407HSS12

(Stainless Steel)



Illus. No.	Part No.	DESCRIPTION
2	4456103	Element, Broil
	4449154	Screw
3	4457277	Grill, Broiler
4	4457276	Pan, Broiler
5	3181534	Rack, Roasting
6	4452807	Rack, Oven

Illus. No.	Part No.	DESCRIPTION
7	4452155	Element, Hidden Bake
9	4451583	Motor, Convection
10	4452226	Blade, Fan
11	4448418	Cover, Fan
12	4452227	Nut
13	4452157	Element, Convection

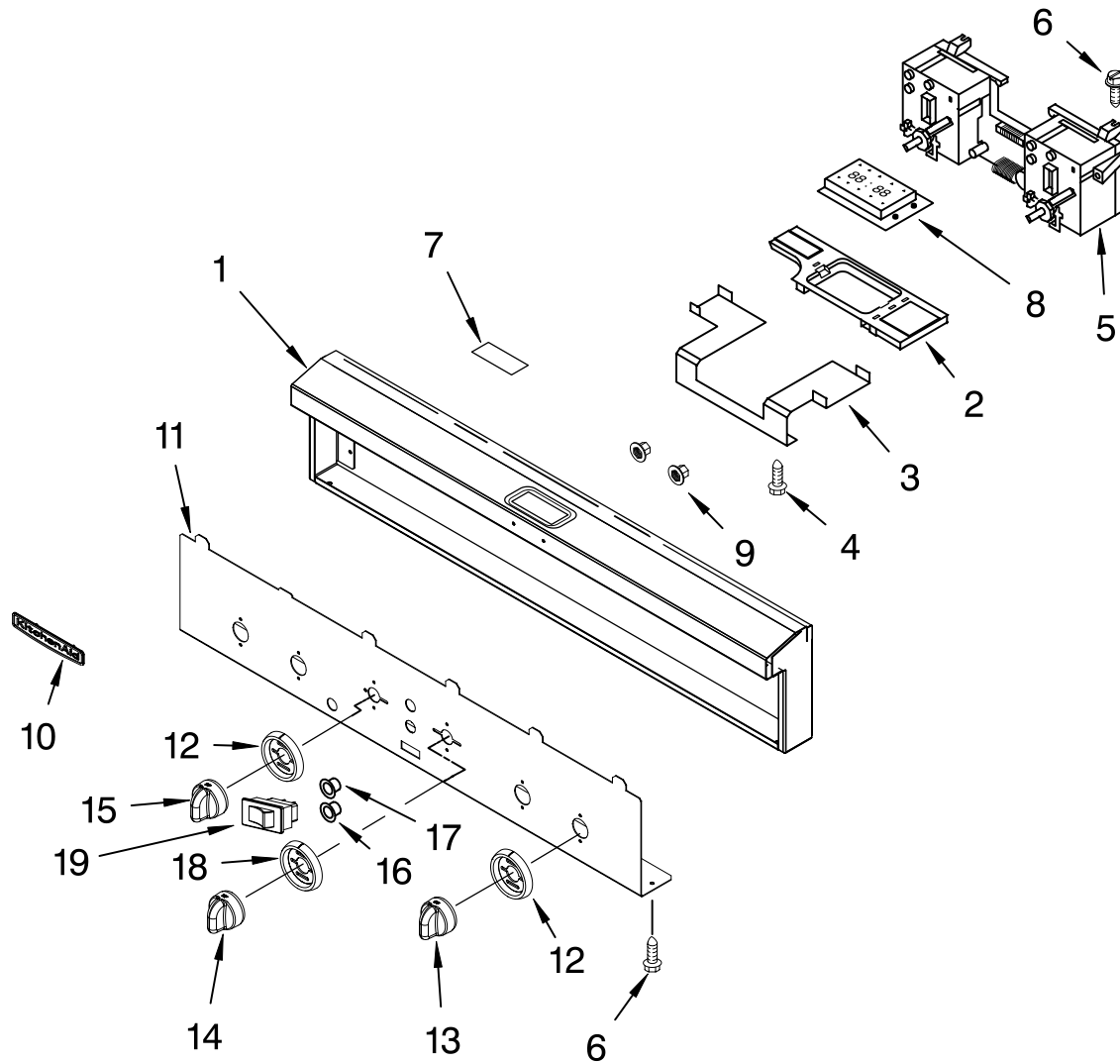
Illus. No.	Part No.	DESCRIPTION
14	4455037	Tray, Hidden Bake
15	4450039	Cover, Access
16	4449154	Screw, 8-32 x .440
17	4449809	Screw, 8-18 x 3/8

FOR ORDERING INFORMATION REFER TO PARTS PRICE LIST

CONTROL PANEL PARTS

For Model: KDRP407HSS12

(Stainless Steel)



Illus. No.	Part No.	DESCRIPTION
1	4457268	Panel, Control
2	4453000	Bracket, Display
3	8300805	Bracket, Display Mounting
4	3196537	Screw, 8-18 x 3/8
5	4452443	Control, Zodiac
6	4449746	Screw, 6-19 x 1

Illus. No.	Part No.	DESCRIPTION
7	4455806	Glass, Control Panel
8	4452999	Module, Display
9	2004333	Palnut
10	2005292	Nameplate
11	4457269	Face, Control Panel
12	4455192	Bezel, Knob

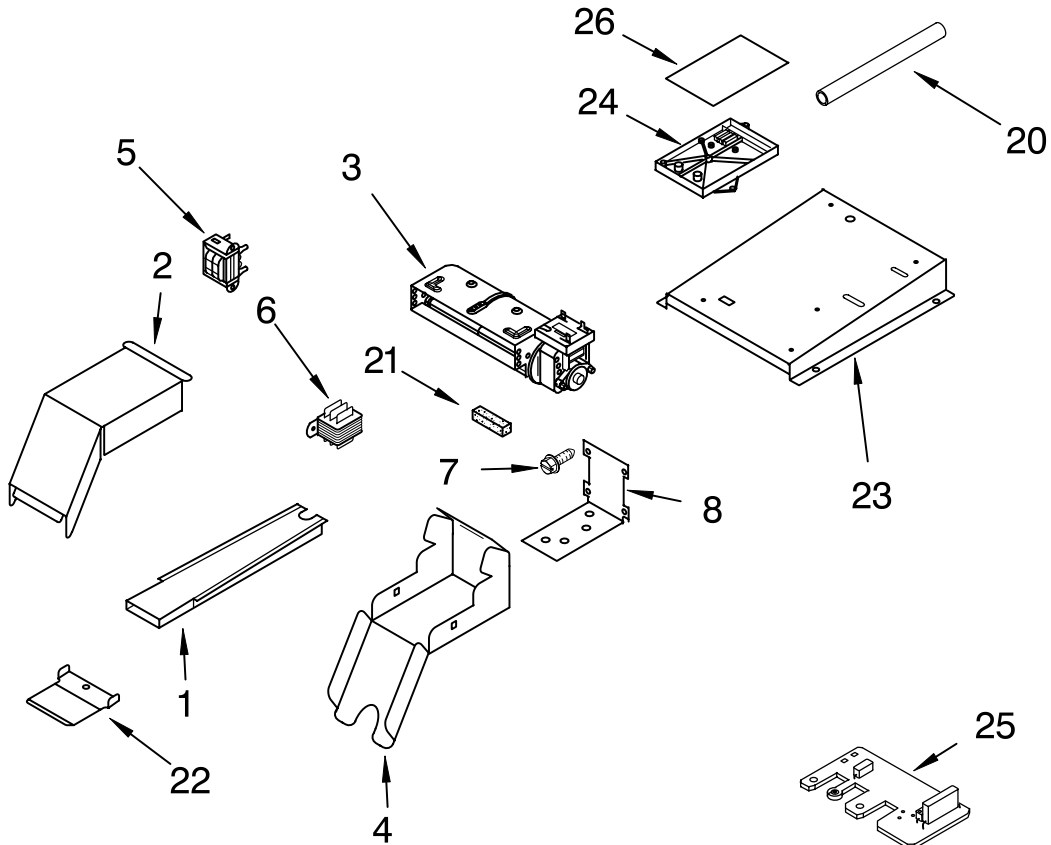
Illus. No.	Part No.	DESCRIPTION
13	4454970	Knob, Control
14	4455115	Knob, Temp/Time
15	4455141	Knob, Selector
16	4457218	Button, Cancel
	4457278	Wire, Jumper
17	4452997	Button, Enter
18	4457152	Bezel, T-Stat
19	4452842	Switch, Rocker

FOR ORDERING INFORMATION REFER TO PARTS PRICE LIST

TOP VENTING PARTS

For Model: KDRP407HSS12

(Stainless Steel)



Illus. No.	Part No.	DESCRIPTION
1	4451759	Vent, Exhaust
2	4455178	Elbow, Vent-Top
3	4452811	Blower 60MM
	4449809	Screw (4)
	3400015	Screw (1)
4	4455177	Elbow, Vent-Bottom
5	6610122	Transformer, Light

Illus. No.	Part No.	DESCRIPTION
6	8300642	Transformer, Control
7	4449809	Screw, 8-18 x 3/8
8	4455352	Bracket, Blower
20	4457216	Standoff, Zodiac Control
21	4451758	Seal, Foam
22	4452489	Deflector, Vent Box

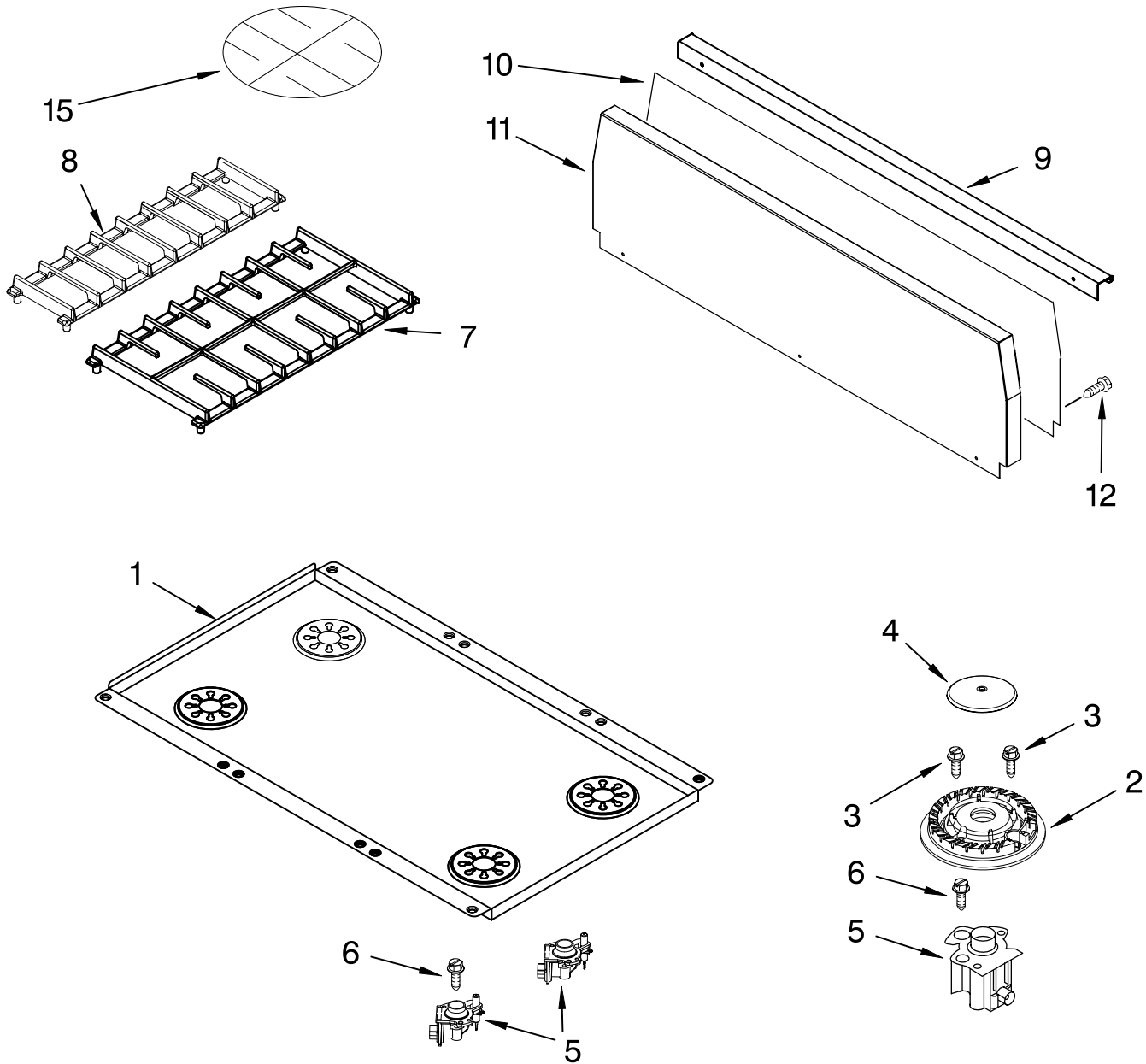
Illus. No.	Part No.	DESCRIPTION
23	4452441	Bracket, Control Mounting
24	9759149	Control, Zodiac
25	4451985	Suppressor
	3400080	Screw (4)
26	4453207	Insulator, Control Board

FOR ORDERING INFORMATION REFER TO PARTS PRICE LIST

COOKTOP PARTS

For Model: KDRP407HSS12

(Stainless Steel)



Illus. No.	Part No.	DESCRIPTION
1	4456868	Cooktop
2	4455849	Burner Head
3	3368921	Screw, 7-18 x 3/4
4	4455243	Cap, Burner

Illus. No.	Part No.	DESCRIPTION
5	4456622	Orifice Holder (Includes Orific & Ignitor)
	3400843	Screw
6	3177991	Screw, 8-18 x 1/4
7	4457331	Grate, Burner
8	4457150	Grate, Filler
9	4454961	Trim, Island

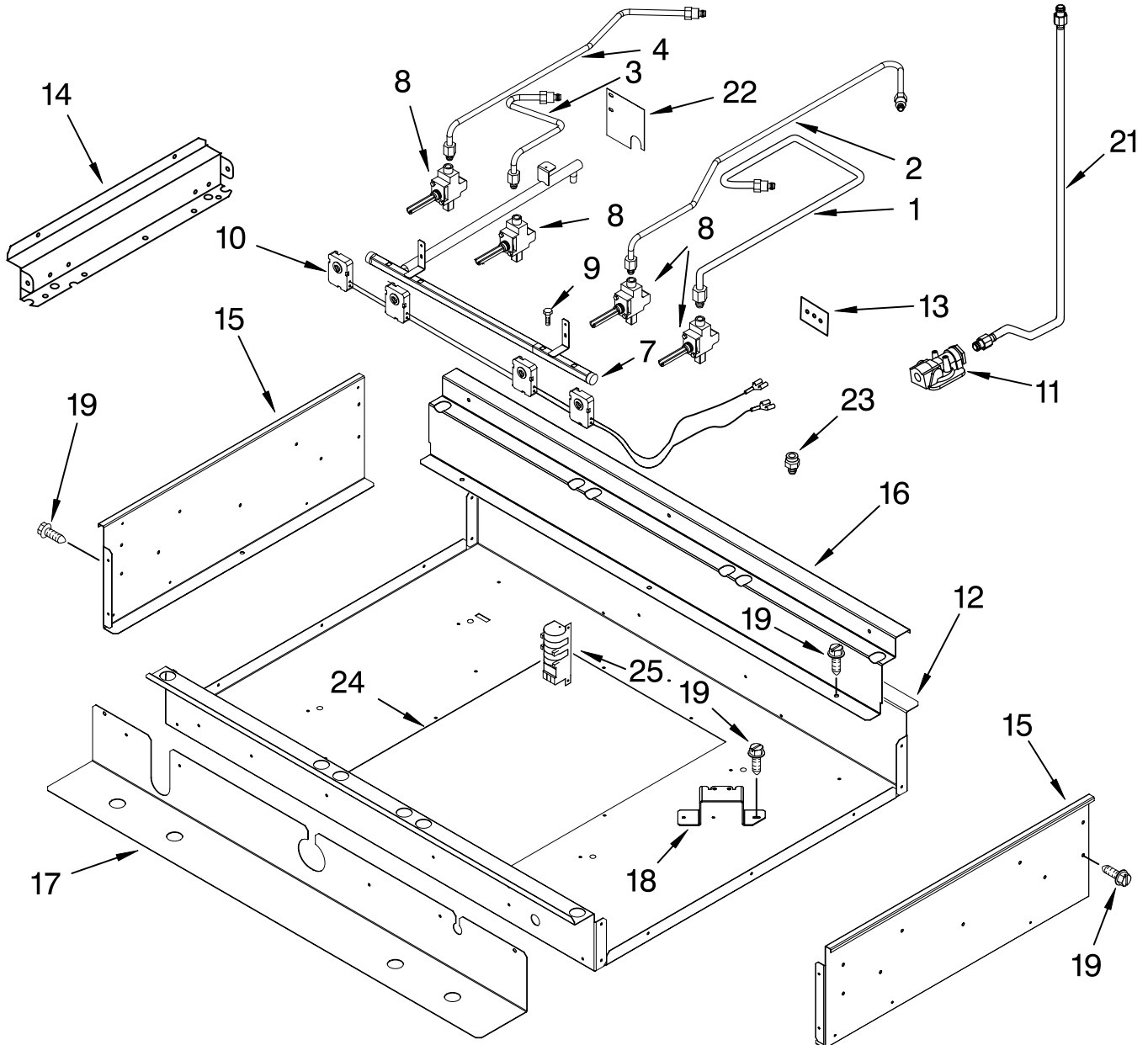
Illus. No.	Part No.	DESCRIPTION
10	4455031	Support, Backsplash
11	4454959	Trim, Backsplash
12	3400837	Screw, 8-18 x 3/8
15	4455109	Plate, Simmer

FOR ORDERING INFORMATION REFER TO PARTS PRICE LIST

BURNER BOX AND MANIFOLD PARTS

For Model: KDRP407HSS12

(Stainless Steel)



Illus. No.	Part No.	DESCRIPTION
------------	----------	-------------

1	4457272	Tubing, Gas Burner – RF
2	4457273	Tubing, Gas Burner – RR
3	4457274	Tubing, Gas Burner – LF
4	4457275	Tubing, Gas Burner – LR
7	4457267	Manifold
8	4456818	Valve, Burner
9	3186217	Bolt, Gas Valve

Illus. No.	Part No.	DESCRIPTION
------------	----------	-------------

10	4457173	Burner Switch & Harness Assembly
	3191387	Seal, Switch
11	9759091	Pressure Regulator
12	4457265	Box, Burner
13	3192439	Seal, Switch
14		Support, Cooktop
	4452442	R.Side
	4457220	L.Side
	4449809	Screw
15		Side, Burner Box
	8285607	Right Side
	8285606	Left Side

Illus. No.	Part No.	DESCRIPTION
------------	----------	-------------

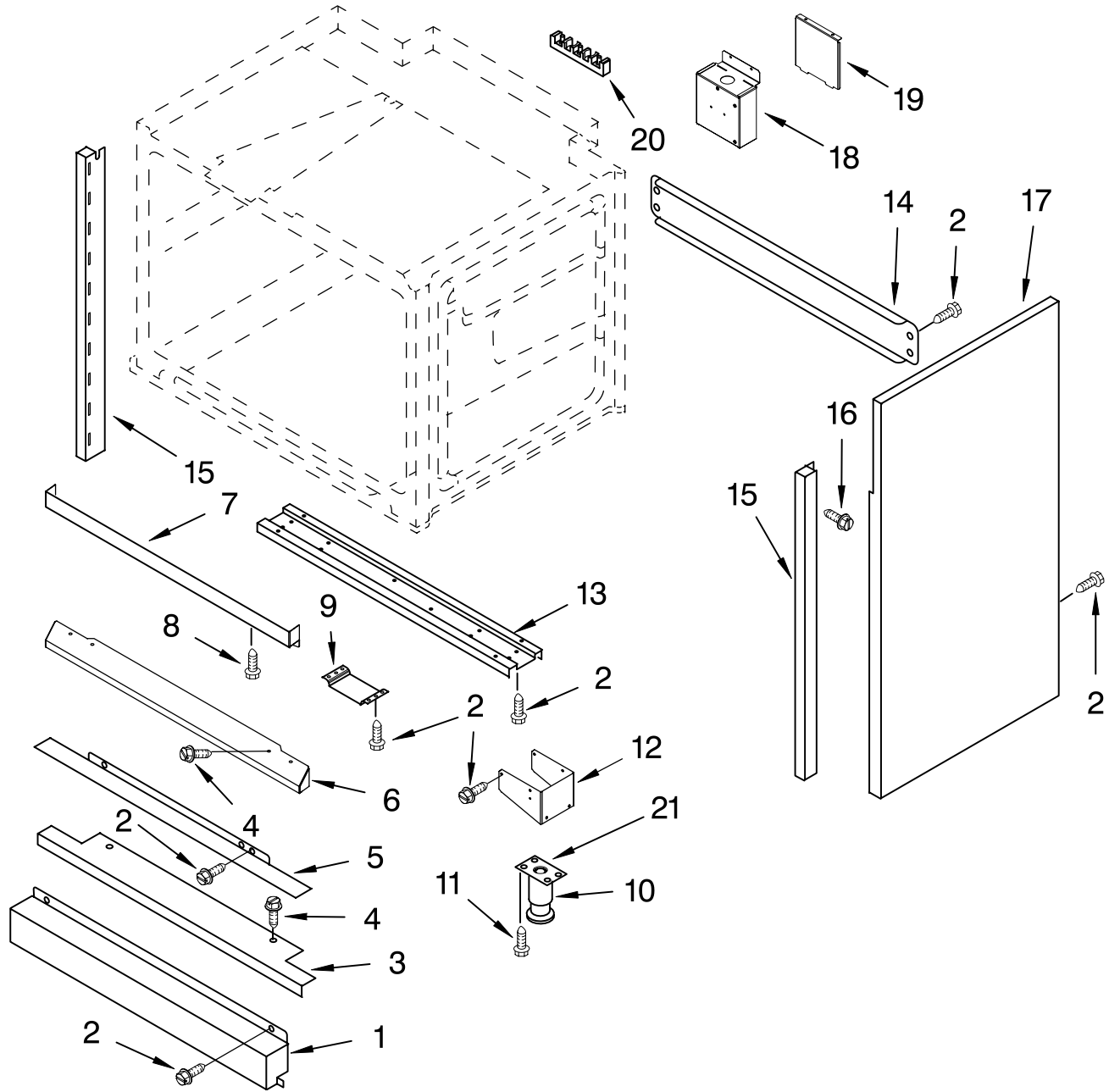
16	4457315	Support, Rear
17	9760557	Support, Cooktop
18	3192811	Bracket, Burner
19	3177991	Screw, 8–18 x 1/4
21	4455645	Tube, Manifold
22	4457271	Cover, Manifold
23		Adapter
	4453116	1/2" Female
	4453115	1/2" Male
	4450118	Nut, 6–32 U Type
24	4453036	Cover, Burner Box
25	8522426	Module, Spark

FOR ORDERING INFORMATION REFER TO PARTS PRICE LIST

CHASSIS PARTS

For Model: KDRP407HSS12

(Stainless Steel)



Illus. No.	Part No.	DESCRIPTION
1	4452802	Vent, Bottom Lower
2	4449809	Screw, 8-18 x 3/8
3	4452798	Backer, Trim Lower
4	3400837	Screw, 8-18 x 3/8
5	4452800	Deflector, Center
6	4452420	Vent, Bottom Upper
7	4452425	Vent, Center
8	4453323	Gasket
	3400805	Screw (4)
8	3196537	Screw, 8-18 x 3/8

Illus. No.	Part No.	DESCRIPTION
9	9759092	Bracket, Mounting Regulator
10	9759117	Foot
11	3400518	Screw, 5/16-12 x 5/8
12	4455644	Gusset
13	4455643	Support, Channel
	3400080	Screw (8)
14	9760672	Brace, Rear
15	4452804	Right Side
	4453205	Left Side

Illus. No.	Part No.	DESCRIPTION
16	3196537	Screw, 8-18 x 3/8
17	4457251	Side Chassis Right Side
	4457252	Left Side
18	9760476	Box, Terminal
19	9760482	Cover, Terminal Box
20	9757403	Block, Terminal
21	9759118	Plate, Mounting

FOR ORDERING INFORMATION REFER TO PARTS PRICE LIST

OPTIONAL PARTS

For Model: KDRP407HSS12

(Stainless Steel)

Illus. No.	Part No.	DESCRIPTION
<u>SPLICING WIRES--25FT. LENGTH</u>		
242828		Wire (12 Ga. 150 c Black)
242820		Wire (14 Ga. 150 c Black)
242821		Wire (14 Ga. 150 c Blue)
242822		Wire (14 Ga. 150 c Brown)
242830		Wire (14 Ga. 200 c Brown)
242823		Wire (14 Ga. 150 c Green)
242824		Wire (14 Ga. 150 c Orange)
242829		Wire (12 Ga. 150 c Red)
242825		Wire (14 Ga. 150 c Red)
242831		Wire (14 Ga. 200 c Red)
242826		Wire (14 Ga. 150 c White)
242827		Wire (14 Ga. 150 c Yellow)
242832		Wire (14 Ga. 200 c Yellow)

Illus. No.	Part No.	DESCRIPTION
<u>WIRING HARNESS PARTS</u>		
	4448444	Grommet, Rail
	9759256	Harness, Wire (Main)
	4456549	Harness, Wire (Spark Module)
	4456628	Harness, Wire (Ignitor 39")
	4456627	Harness, Wire (Ignitor 28")
	4456626	Harness, Wire (Ignitor 15")
	3191506	Bushing, Conduit
	1129449	Bushing
	9760506	Conduit
	4449809	Screw
	112432	Nut
	4450800	Screw, Ground
	4454835	Tie, Cable
	4452222	Spacer, Harness

Illus. No.	Part No.	DESCRIPTION
<u>Miscellaneous</u>		
	814381	Pin Hinge Kit
	8301282	Conv. Kit (LP)
	4453141	Bracket, Anti-Tip
	4453202	Bracket, Anti-Tip
<u>ADHESIVE</u>		
	591014	Adhesive Loctite (1/3 oz.)
	482338	Sealer, Silastic (3 oz.)
	4453192	Seal, Ribbon Cable
	4453191	Seal, Access Panel

FOR ORDERING INFORMATION REFER TO PARTS PRICE LIST